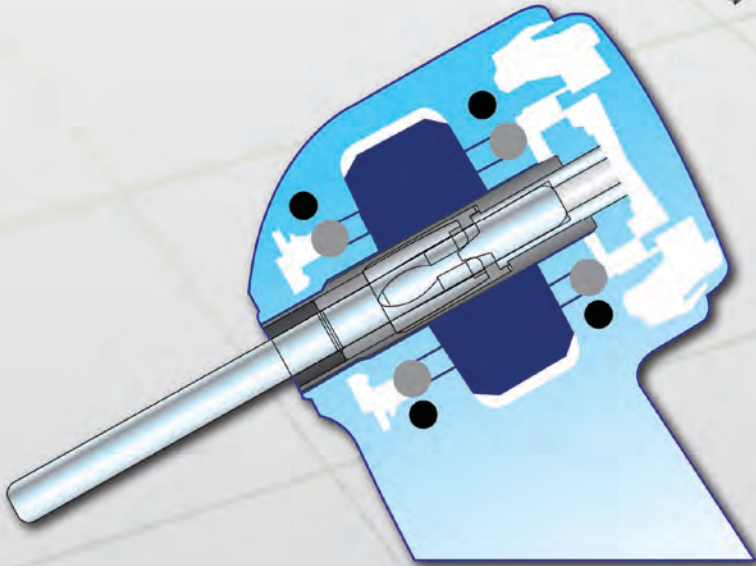


NEW *ProStyle*TM SF

+ TURBINES

Performance Breakthrough



lares[®]
RESEARCH
60 Years of Quality

NEW *ProStyle*TM SF TURBINES

SilentForceTM : Performance Breakthrough

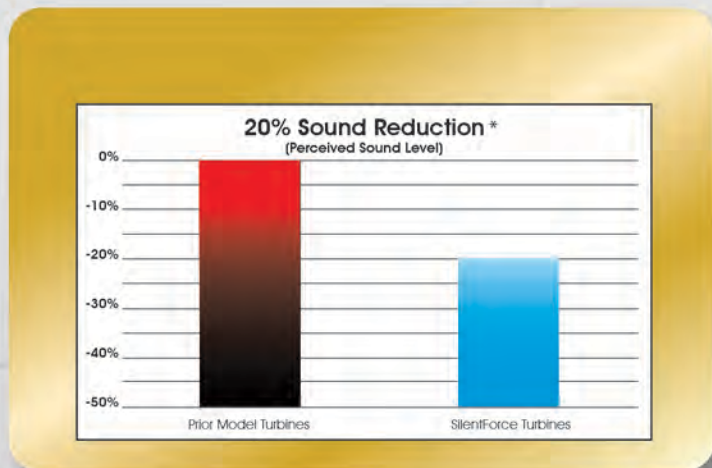
For nearly a generation, Lares engineers have dedicated themselves to the advancement of Lares turbine performance and reliability. With the addition of DynamicPrecisionTM Balancing and the SteelGripTM Push Button Chucking System, Lares turbines feature performance breakthroughs enabling you to perform exceptional dentistry, year after year.



DynamicPrecisionTM Balancing

The uni-body construction of the new SteelGripTM chucking system enables dynamic balancing of the rotating assembly to a near perfect 0.3 mg-mm, resulting in a sound reduction of 20%* over prior models making today's ProStyleTM turbines some of the very quietest available. You, your staff and your patients will appreciate the SilentForceTM difference.

DYNAMICPRECISIONTM TURBINE BALANCING



* Reduction in average perceived sound level when tested as per ISO standard test protocol.

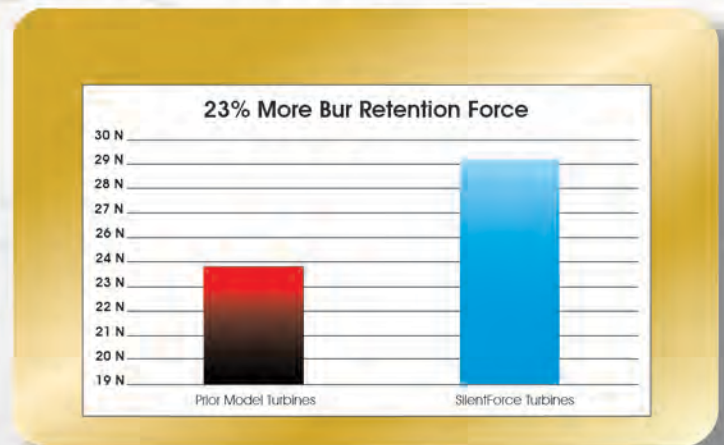
A dynamic balancing machine displays rotor imbalance

Performance Breakthrough

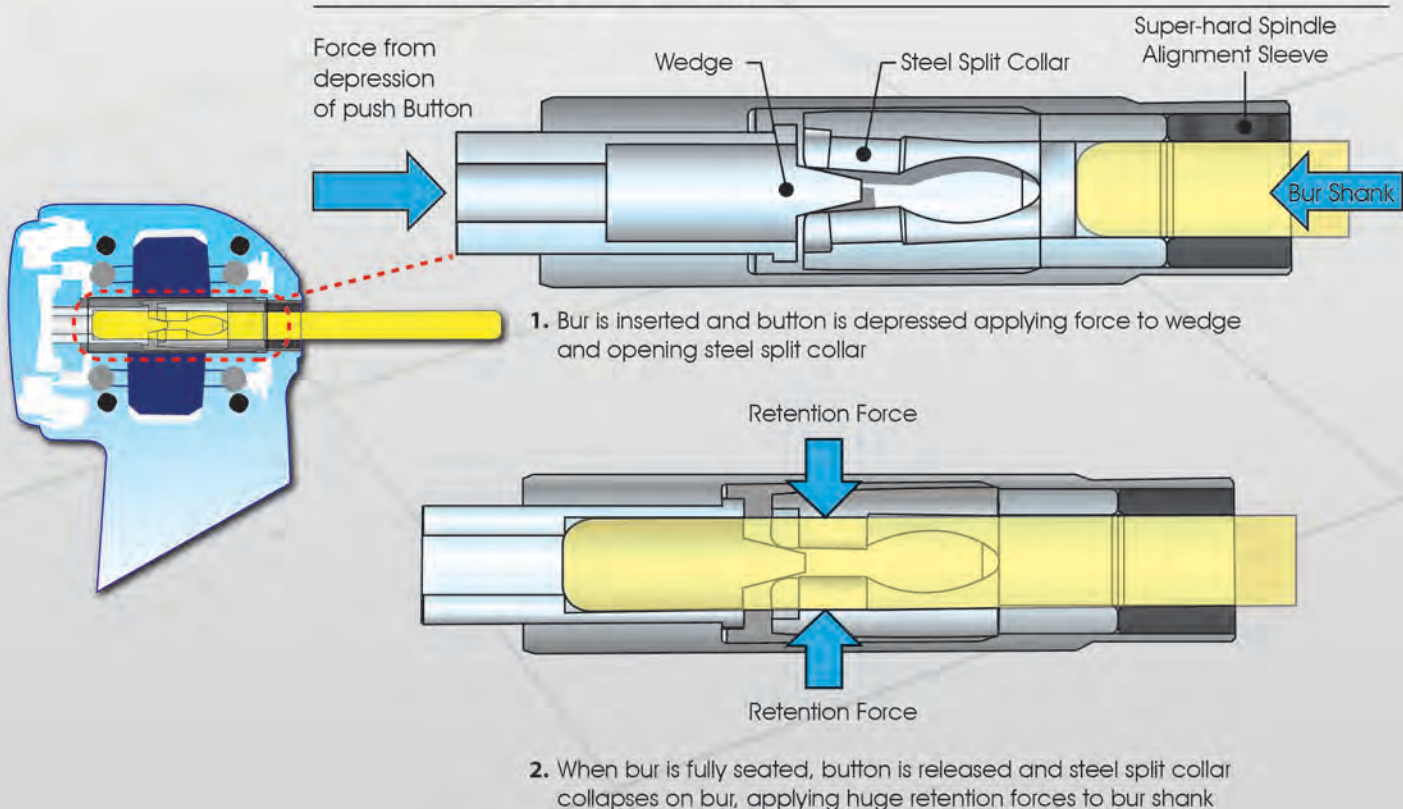
lares[®]
RESEARCH
+ 60 Years of Quality

SteelGrip™ Push Button Chucking System

The new SteelGrip™ chucking system ingeniously transfers the force at the push button to expand a split steel collar. When the button is released, the collar collapses and grasps the bur with 23% more force than the previous system. Robust construction allows the chucking system to outlast bearing life, virtually eliminating down time and chuck replacement costs of prior models. A super-hard spindle alignment sleeve ensures exceptional concentricity throughout the life of the turbine. Bur insertion is a single, smooth step.



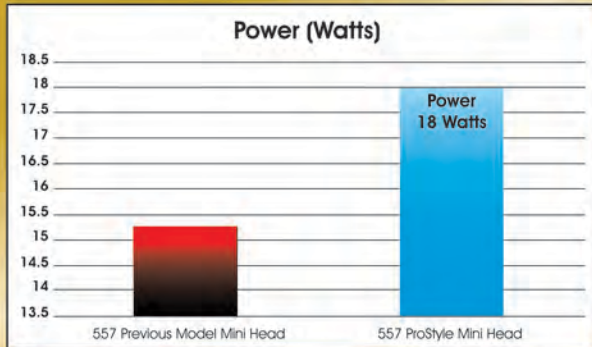
STEELGRIP™ PUSH BUTTON CHUCKING SYSTEM



NEW *ProStyle*TM SF TURBINES

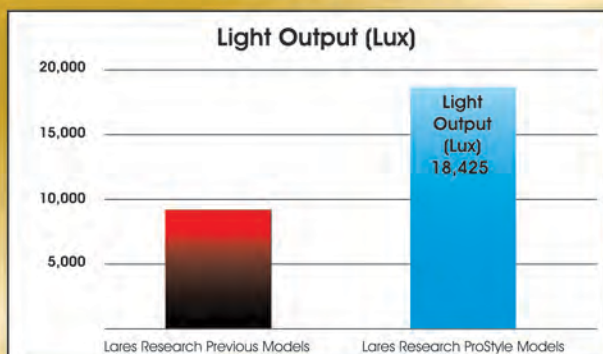
More *ProStyle*TM SF Advances

20% More Cutting Power*



20% More Power (18w)
*557 Mini Head

100% More Light Output



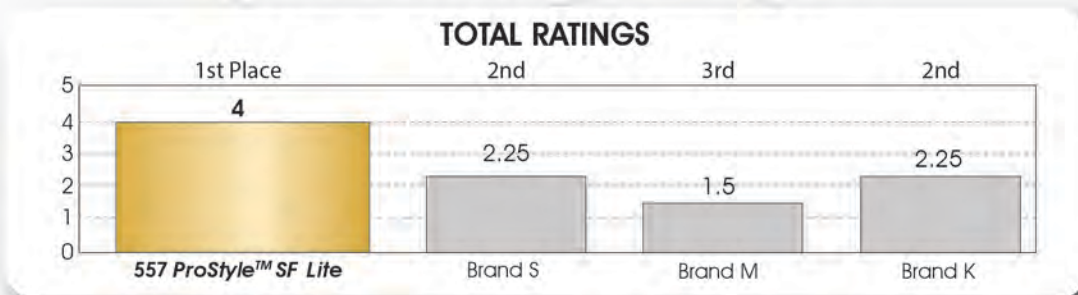
100% More Light Output

New solid rod cellular optics for brighter, longer lasting illumination

Performance + Breakthrough

“Head-to-Head” Comparisons of Top Global Brands

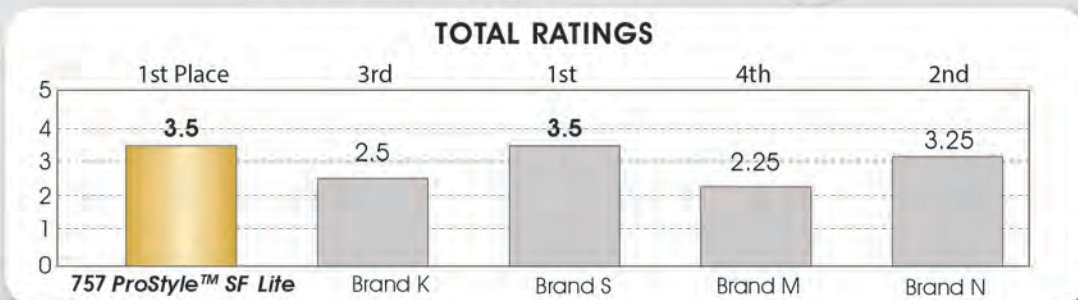
557 ProStyle™ SF Lite



	557 ProStyle™ SF Lite	Brand K	Brand S	Brand M
Head Diameter	10.4mm ★★★★★	10.8 mm ★★★★	11mm ★★★★	11.2 mm ★★★★
Weight	38 g ★★★★★	60 g ★★★	49 g ★★★★	61 g ★★★★
Retail U.S. Price	★★★★★	★★★★	★★★★	★★★★
Power	18 W ★★★★★	13 W ★★★	14 W ★★★★	16 W ★★★★
TOTALS Rating: 0-5 1 Poor, 5 Excellent	4 ★★★★★	2.25 ★★★	2.25 ★★★	1.5 ★★★

*Data on File: Brand K: SMARTorque Mini LUX S615L, Brand S: 430 SWL, Brand M: Stylus Lite

757 ProStyle™ SF Lite



	757 ProStyle™ SF Lite	Brand K	Brand S	Brand M	Brand N
Head Diameter	13 mm ★★★★★	12.5 mm ★★★★	10.5 mm ★★★★★	11.2 mm ★★★★★	11.2 mm ★★★★
Weight	43 g ★★★★★	69 g ★★★	32 g ★★★★★	61 g ★★★★★	68 g ★★★★★
Retail U.S. Price	★★★★★	★★★★	★★★★	★★★★	★★★★
Power	20 W ★★★★★	18 W ★★★★	18 W ★★★★	16 W ★★★★	21 W ★★★★★
TOTALS Rating: 0-5 1 Poor, 5 Excellent	3.5 ★★★★★	2.5 ★★★	3.5 ★★★★	2.25 ★★★	3.25 ★★★★

*Data on File:
Brand K: EXPERtorque E679L
Brand S: Solara G1
Brand M: Stylus Lite
Brand N: II-Max X600L Std.

NEW **ProStyle™ SF** TURBINES

Exclusive **ProStyle™ SF** Features



* MULTiflex is a trademark of Kavo Dental GmbH

Performance Breakthrough

laRES[®]
RESEARCH
60 Years of Quality

Model Selection

757 ProStyle™ SF

- Solid feel weighing 54 grams
- Standard head size toughness for crown and bridge
- High cutting power at 20 watts
- 4 port spray
- Smooth grip
- Super quiet operation at 61.7 dBA**
- MULTiflex* compatible 360° swivel with optional lighting



557 ProStyle™ SF

- Solid feel weighing 48 grams
- Mini head accessibility and visibility
- Excellent mini head cutting power at 18 watts
- Single Port Spray
- Smooth grip
- Super quiet operation at 62.8 dBA**
- MULTiflex* compatible 360° swivel with optional lighting



757 ProStyle™ SF Lite

- Super light weight at only 43 grams
- Standard head size toughness for crown and bridge
- High cutting power at 20 watts
- 4 port spray
- Extra secure grip
- Super quiet operation at 61.7 dBA**
- MULTiflex* compatible 360° swivel with optional lighting



557 ProStyle™ SF Lite

- Super light weight at only 38 grams
- Mini head accessibility and visibility
- Excellent mini head cutting power at 18 watts
- Single Port Spray
- Extra secure grip
- Super quiet operation at 62.8 dBA**
- MULTiflex* compatible 360° swivel with optional lighting



757 ProStyle™ SF Lite

- Non-Swivel
- Super light weight at 48 grams
- Standard head size toughness for crown and bridge
- High cutting power at 20 watts
- 4 port spray
- Extra secure grip
- Super quiet operation at 61.7 dBA**
- Available in 4 hole optic, 4 hole non-optic and 2 hole



557 ProStyle™ SF Lite

- Non-Swivel
- Super light weight at 43 grams
- Mini head accessibility and visibility
- Excellent mini head cutting power at 18 watts
- Single Port Spray
- Extra secure grip
- Super quiet operation at 62.8 dBA**
- Available in 4 hole optic, 4 hole non-optic and 2 hole



**Average sound level



A Company You Can Depend On

Lares Research was founded in 1956 by my father Joe Lares and uncle Al Lares. I joined the company in 1979 and have served as President since 1986. I am very proud of the continuity that two generations of Lares family ownership and a highly dedicated team of employees has provided our customers and suppliers for the past 60 years.

Lares Research designs, manufactures and distributes handpieces of exceptional quality, precision and value. But even more importantly, Lares strives to support its dentist and distributor customers worldwide with a level of service that is unmatched in our industry. Lares competes consistently on the various aspects of turbine features and performance. But when it comes to service, the Lares team beats the competition every day.

It will be our great pleasure to serve you and to earn your trust. Welcome to Lares Research!

Sincerely

Craig J. Lares
President

295 Lockheed Avenue • Chico, California 95973 U.S.A.
Worldwide: 1.530.345.1767 • FAX: 1.530.345.1870 • Email: world-sales@laresdental.com

www.laresdental.com

Toll Free: 1.888.333.8440 (Within U.S. only)

LaRES
RESEARCH
Your cutting edge

Christian Godoy
Sr. Executive Director
Global Sales & Marketing

cgodoy@laresdental.com

295 Lockheed Avenue
Chico, CA 95973 U.S.A.
www.laresdental.com

Cell 530.717.3145
USA 888.333.8440 ext.1822
Worldwide 530.345.1767
Fax 530.345.1870

International/OEM and Special Markets
Christian Godoy
+1 .530.717.3145
cgodoy@laresdental.com